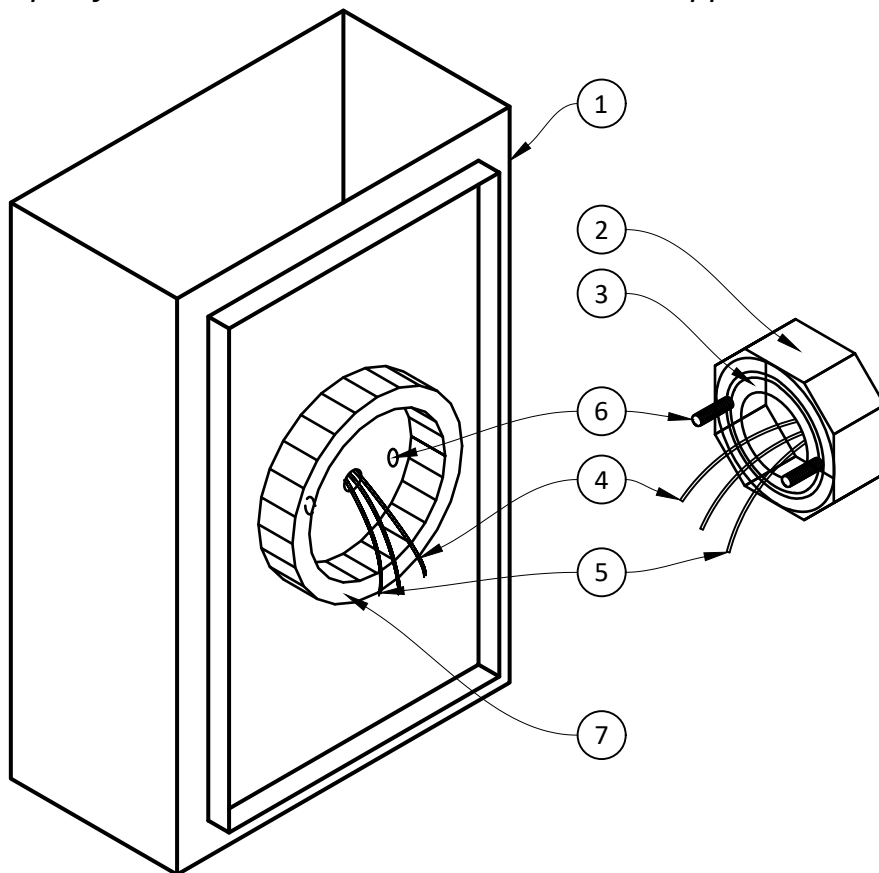


# INSTALLATION INSTRUCTIONS

Installation is to be by a qualified electrician in accordance with all applicable electric codes.



1. Light fixture by TWO HILLS STUDIO. Actual shape may vary.
2. Electrical junction box in wall by others. **TURN OFF ELECTRICITY TO ELECTRICAL BOX BEFORE INSTALLING THE FIXTURE.**
3. Attach universal bracket provided with fixture to junction box with threaded screws facing out.
4. Connect ground wire from junction box to the ground wire of the fixture or to the universal bracket.
5. Connect black & white wires from the fixture to corresponding black and white wires from junction box using appropriate wire nuts. Tuck the wires into the junction box.
6. Fasten the fixture canopy to the threaded screws on the universal bracket with balls or nuts provided. Rotate universal bracket on the junction box as needed for proper alignment of the fixture.
7. For wet locations, make sure gasket has compressed to be tight to the wall. If the wall is too irregular and a tight fit is not possible, neatly seal all around fixture for a waterproof installation.
8. In most models either the top or bottom of the fixture is left open for relamping. In other cases a hinged panel is provided. Use only bulbs indicated on the fixture.
9. Fixtures are for 120 volt power supply unless labeled otherwise. Connect only to a power supply of the proper voltage.

