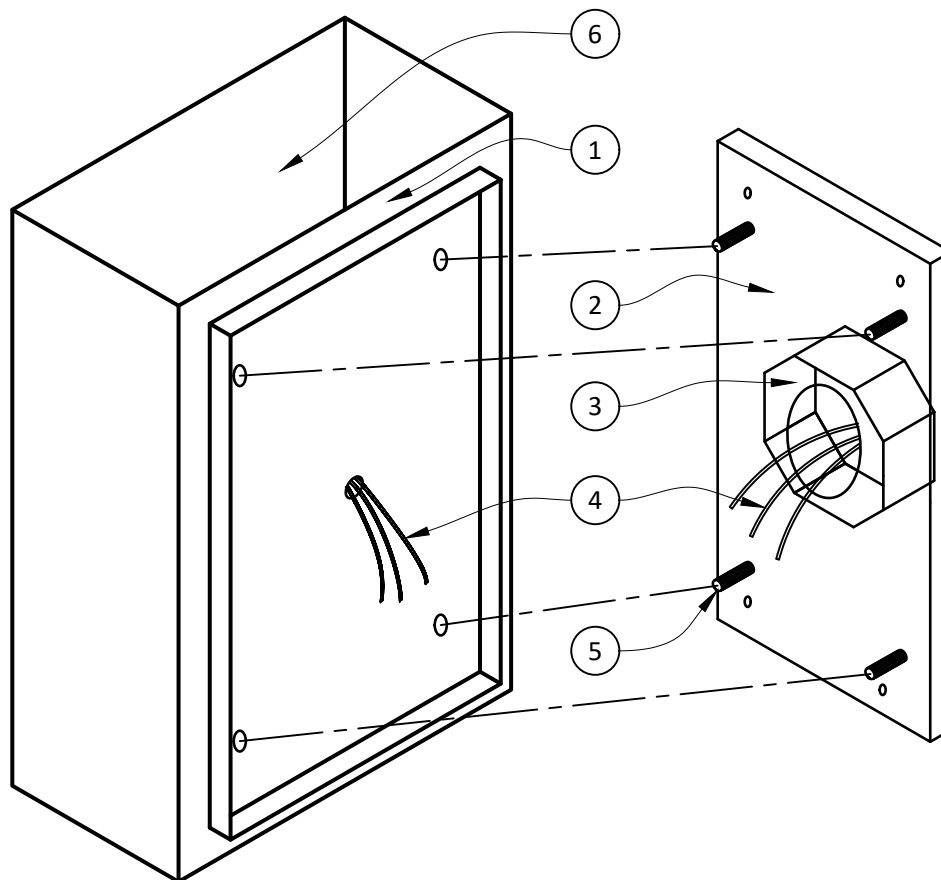


INSTALLATION INSTRUCTIONS

Installation is to be by a qualified electrician in accordance with all applicable electric codes.



1. Light fixture by TWO HILLS STUDIO. Actual shape may vary.
2. Hidden inner mounting pan attached to wall with appropriate fasteners. Fasteners not included.
3. Electrical junction box in wall by others. **TURN OFF ELECTRICITY TO ELECTRICAL BOX BEFORE INSTALLING THE FIXTURE.**
4. Connect black, white & ground wires from the fixture to corresponding wires from junction box using appropriate wire nuts. Tuck the wires into the junction box.
5. Attach the fixture back to the threaded nipples of the inner mounting pan with balls or nuts provided.
6. In most models, either the top or bottom of the fixture is open for relamping. In other cases a hinged panel is provided. Use only bulbs indicated on the fixture.
7. Fixtures are for 120 volt power supply unless labeled otherwise. Connect only to a power supply of the proper voltage.

