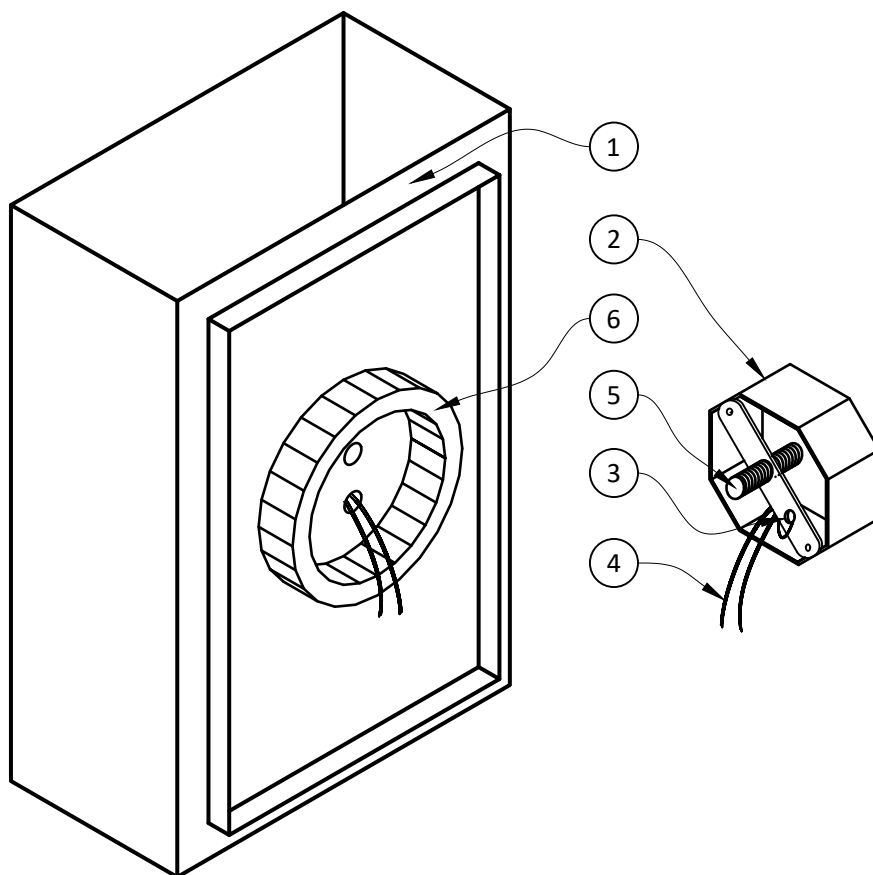


# INSTALLATION INSTRUCTIONS

Installation is to be by a qualified electrician in accordance with all applicable electric codes.



1. Light fixture by TWO HILLS STUDIO. Actual shape may vary.
2. Electrical junction box in wall by others. **TURN OFF ELECTRICITY TO ELECTRICAL BOX BEFORE INSTALLING THE FIXTURE.**
3. Fasten bar hanger with threaded nipple to junction box. Connect ground wire from junction box to the green ground screw on the bar hanger or to a separate ground wire if applicable.
4. Connect black & white wires from the fixture to corresponding black and white wires from junction box using appropriate wire nuts. Tuck the wires into the junction box.
5. Fasten the fixture to the junction box by attaching the cap nut over the threaded nipple and tightening. Adjust the fixture to be plumb and level. Install additional fasteners through fixture back if applicable.
6. For wet locations, make sure gasket has compressed to be tight to the wall. If the wall is too irregular and a tight fit is not possible, neatly seal all around fixture for a waterproof installation.
7. In most models the top or bottom of the fixture has been left open for relamping. In other cases a hinged panel is provided. Use only bulbs indicated on the fixture.
8. Fixtures are for 120 volt power supply unless labeled otherwise. Connect only to a power supply of the proper voltage.

