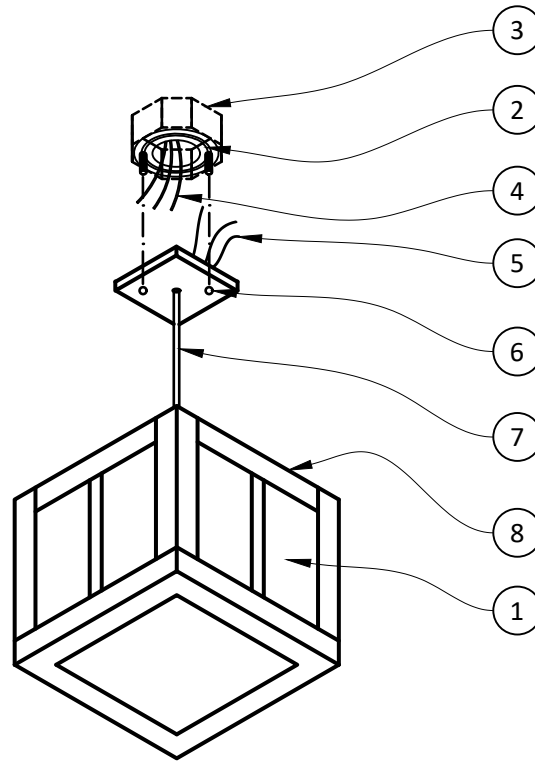


HANGING LANTERN

INSTALLATION INSTRUCTIONS

Installation is to be by a qualified electrician in accordance with all applicable electric codes.



1. Light fixture by TWO HILLS STUDIO. Actual shape may vary.
2. Attach universal bracket provided with fixture to the junction box with threaded screws pointing down.
3. Electrical junction box in ceiling by others. **TURN OFF ELECTRICITY TO ELECTRICAL BOX BEFORE INSTALLING THE FIXTURE.**
4. Connect ground wire from junction box to the green screw on the universal bracket or to a separate ground wire on the fixture if provided.
5. Connect the black & white wires from the fixture to the corresponding black and white wires from the junction box using appropriate wire nuts. Tuck excess wires into the junction box.
6. Fasten the fixture canopy to the threaded screws on the universal bracket with balls or nuts provided. Rotate universal bracket on junction box as needed for proper alignment of fixture.
7. Fixture cord to suspend fixture with strain reliever or knot at end of cord inside of canopy. If cord is shortened be sure to re-attach strain reliever or re-knot cord to prevent strain on cord and possible short circuit. Secure connection with Loctite 262 liquid threadlocker (provided) to prevent loosening and rotation of fixture due to wind or vibration.
8. In most models either the top or bottom is open for relamping. In other cases a hinged panel is provided. Use only bulbs indicated on the fixture.
9. Fixtures are for 120 volt power supply unless labeled otherwise. Connect only to a power supply of the proper voltage.

