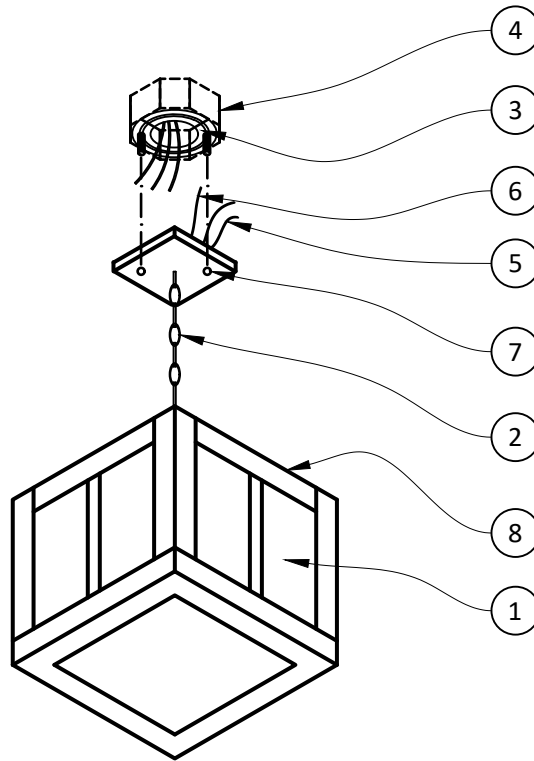


## HANGING LANTERN

# INSTALLATION INSTRUCTIONS

Installation is to be by a qualified electrician in accordance with all applicable electric codes.



1. Light fixture by TWO HILLS STUDIO. Actual shape may vary.
2. Chain provided with fixture. If chain is shortened, it is critical that some slack be left in the zip cord fixture wire to prevent straining the wire and causing a short circuit. (Fixture wire not shown for clarity).
3. Attach universal bracket provided with fixture to the junction box with threaded screws pointing down.
4. Electrical junction box in ceiling by others. **TURN OFF ELECTRICITY TO ELECTRICAL BOX BEFORE INSTALLING THE FIXTURE.**
5. Connect ground wire from junction box to the green screw on the universal bracket or to a separate ground wire on the fixture if provided.
6. Connect the zip cord fixture wire from the fixture to the corresponding black and white wires from the junction box using appropriate wire nuts. The ribbed side of the zip-chord wire is the neutral side. Tuck excess wires into the junction box.
7. Fasten the fixture canopy to the threaded screws on the universal bracket with knurled lock nuts and balls or nuts provided. Secure these joints with Locktite 262 red threadlocker (provided) to prevent loosening of fixture due to wind or vibration. Rotate universal bracket on junction box as needed for proper alignment of fixture.
8. In most models either the top or bottom is open for relamping. In other cases a hinged panel is provided. Use only bulbs indicated on the fixture.
9. Fixtures are for 120 volt power supply unless labeled otherwise. Connect only to a power supply of the proper voltage.

