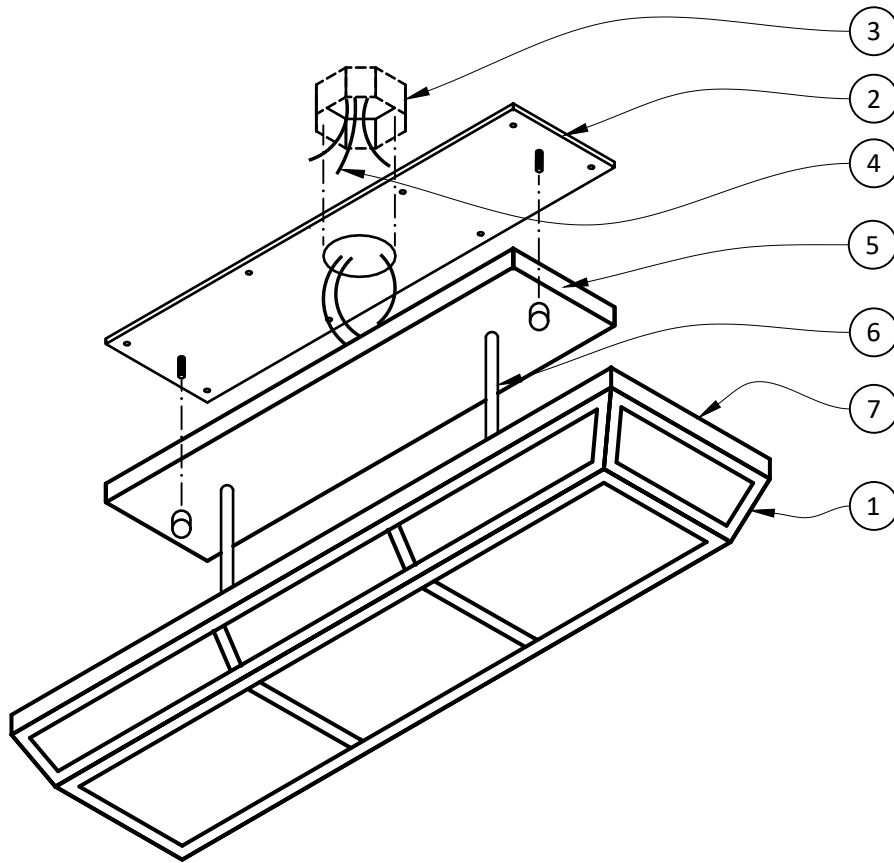


CHANDELIER WITH INNER MOUNTING PAN

INSTALLATION INSTRUCTIONS

Installation is to be by a qualified electrician in accordance with all applicable electric codes.



1. Chandelier by TWO HILLS STUDIO. Actual shape may vary.
2. Hidden inner mounting pan attached to ceiling with appropriate fasteners. Fasteners by others.
3. Electrical junction box by others. **TURN OFF ELECTRICITY TO ELECTRICAL BOX BEFORE INSTALLING THE FIXTURE.**
4. Connect black, white and ground wires from fixture to corresponding wires from junction box using appropriate wire nuts. Tuck the wires into the junction box.
5. Attach the fixture canopy to the threaded nipples of the inner mounting pan with balls, nuts, or caps provided.
6. Pendant sleeves with threaded pipe inside (as shown) or chains provided to suspend fixture
7. In most models, either the top or bottom of the fixture is open for relamping. In other cases a hinged panel is provided. Use only bulbs indicated on fixture.
8. Fixtures are for 120 volt power supply unless labeled otherwise. Connect only to a power supply of the proper voltage.


TWO HILLS STUDIO