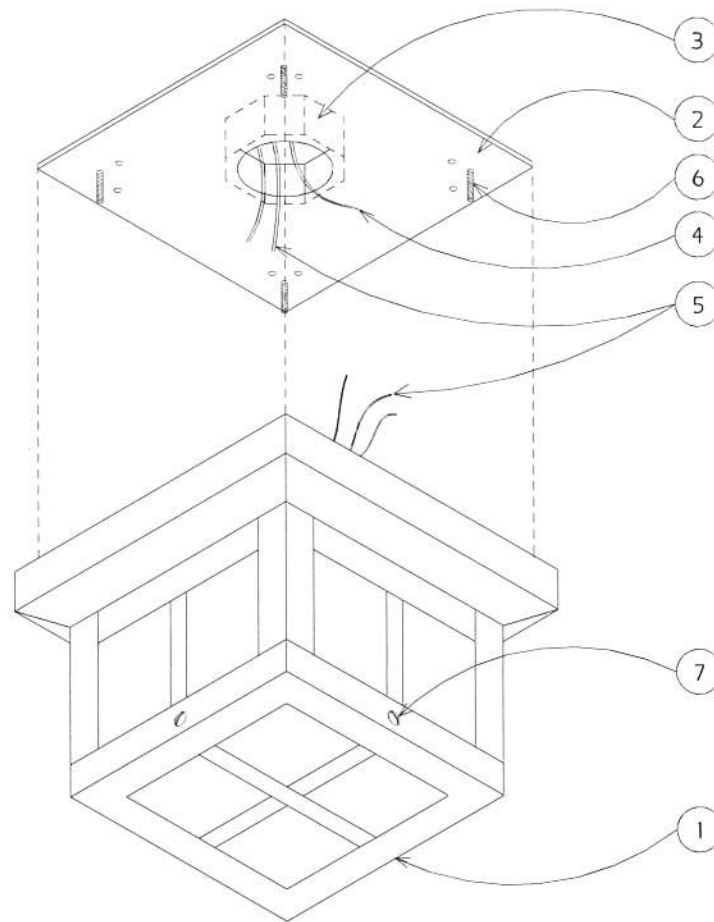


# TWO HILLS STUDIO, INC.®

Fine Lighting & Decorative Metal Work [www.twohillsstudio.com](http://www.twohillsstudio.com)

2706 SOUTH LAMAR BOULEVARD AUSTIN, TEXAS 78704 512-707-7571 FAX 512-707-7524



## CEILING-MOUNTED FIXTURE INSTALLATION INSTRUCTIONS

Installation is to be by a qualified electrician in accordance with all applicable electric codes.

1. Light fixture by TWO HILLS STUDIO. Actual shape may vary.
2. Hidden inner mounting pan attached to ceiling with appropriate fasteners (fasteners not included).
3. Electrical junction box in ceiling by others. Turn off electricity to electrical box before installing the fixture.
4. Connect ground wire from junction box to the ground wire on the fixture.
5. Connect black & white wires from fixture to corresponding black & white wires from junction box using appropriate wire nuts. Tuck the wires into the junction box.
6. Attach the fixture to the threaded nipples of the inner mounting pan with nuts provided. Secure these joints with Locktite 262 liquid threadlocker (provided) to prevent loosening of fixture due to wind or vibration.
7. In some models, the bottom of the fixture is hinged or removable for relamping. Use only bulbs indicated on the fixture.
8. Fixtures are for 120 volt power supply unless labeled otherwise. Connect only to a power supply of the proper voltage.