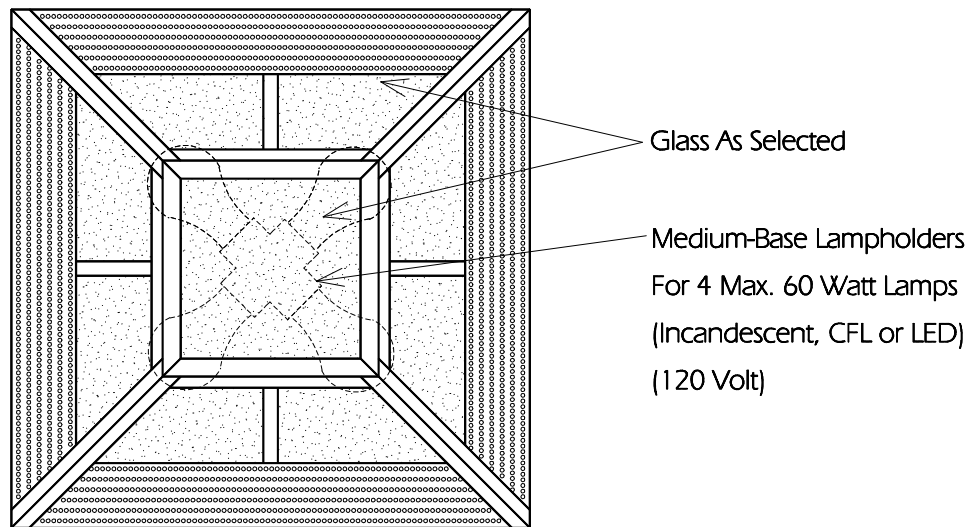


SIDE



BOTTOM

**TWO HILLS STUDIO®**

Fine Lighting & Decorative Metal Work [www.twohillsstudio.com](http://www.twohillsstudio.com)

2706 SOUTH LAMAR BOULEVARD AUSTIN, TEXAS 78704 512-707-7571 FAX 512-707-7524

## HANGING LANTERN CHL49

COPYRIGHT 2006 TWO HILLS STUDIO, INC.

ALL RIGHTS RESERVED

Fixture Is Appropriate For:

- Wet Locations As Shown
- Wet Locations With Glass Or Solid Top Added
- Damp Locations As Shown
- Dry Locations As Shown
- U.L. Approved