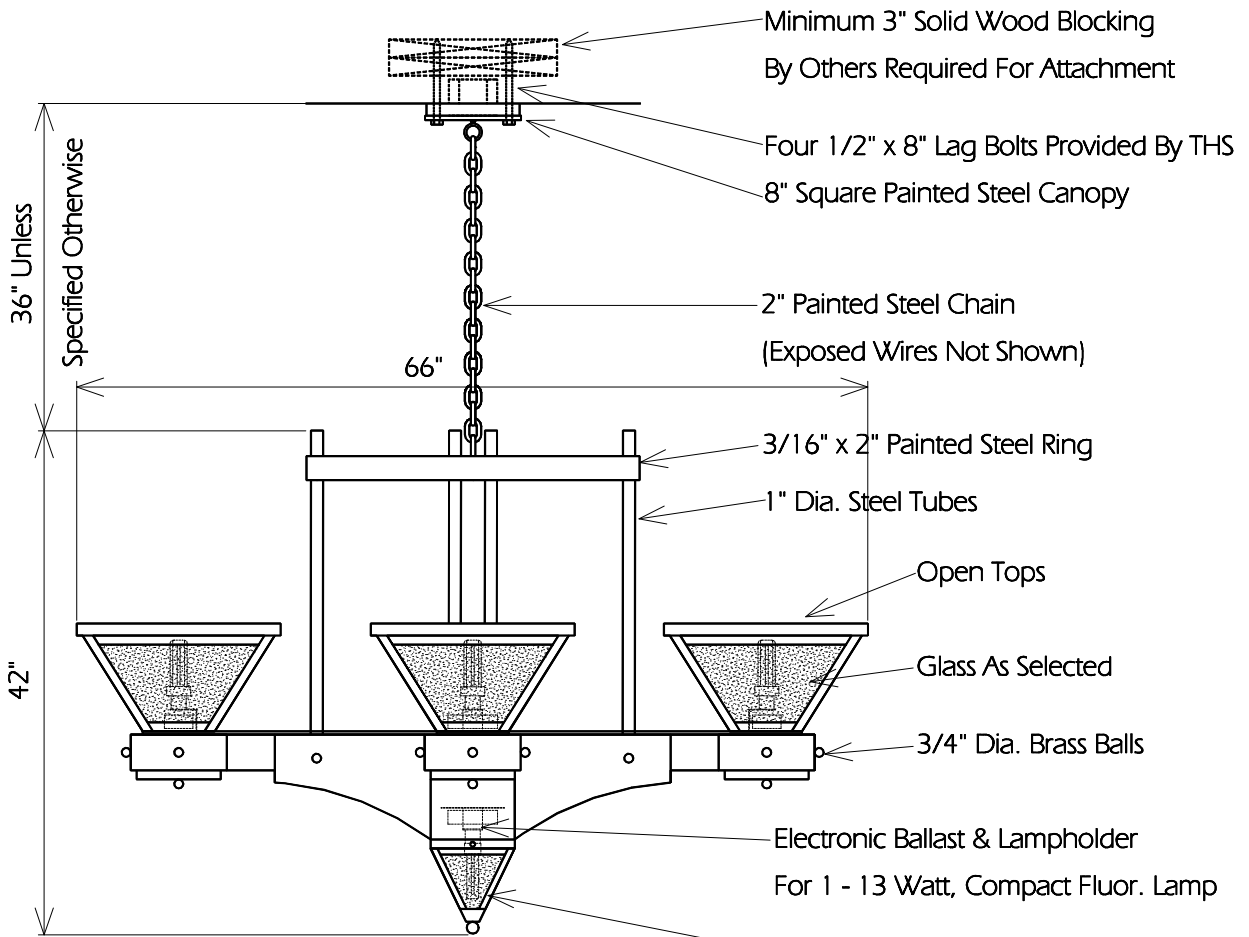


Electronic Ballasts & Lampholders  
For 4 - 32 Watt, Compact Fluor.  
Lamps (120 or 277 Volt)

Painted Steel Channel Cross Arms

TOP  
Shown Half Size



Minimum 3" Solid Wood Blocking  
By Others Required For Attachment

Four 1/2" x 8" Lag Bolts Provided By THS

8" Square Painted Steel Canopy

36" Unless  
Specified Otherwise

2" Painted Steel Chain  
(Exposed Wires Not Shown)

66"

3/16" x 2" Painted Steel Ring

1" Dia. Steel Tubes

Open Tops

Glass As Selected

42"

3/4" Dia. Brass Balls

Electronic Ballast & Lampholder  
For 1 - 13 Watt, Compact Fluor. Lamp

Removable Obelisk With  
Glass As Selected

SIDE

**TWO HILLS STUDIO®**

Fine Lighting & Decorative Metal Work [www.twohillsstudio.com](http://www.twohillsstudio.com)

2706 SOUTH LAMAR BOULEVARD AUSTIN, TEXAS 78704 512-707-7571 FAX 512-707-7524

**CHANDELIER CCH8**

Fixture Is Appropriate For:

- Wet Locations As Shown
- Wet Locations With Glass Or Solid Top Added
- Damp Locations As Shown
- Dry Locations As Shown
- U.L. Approved