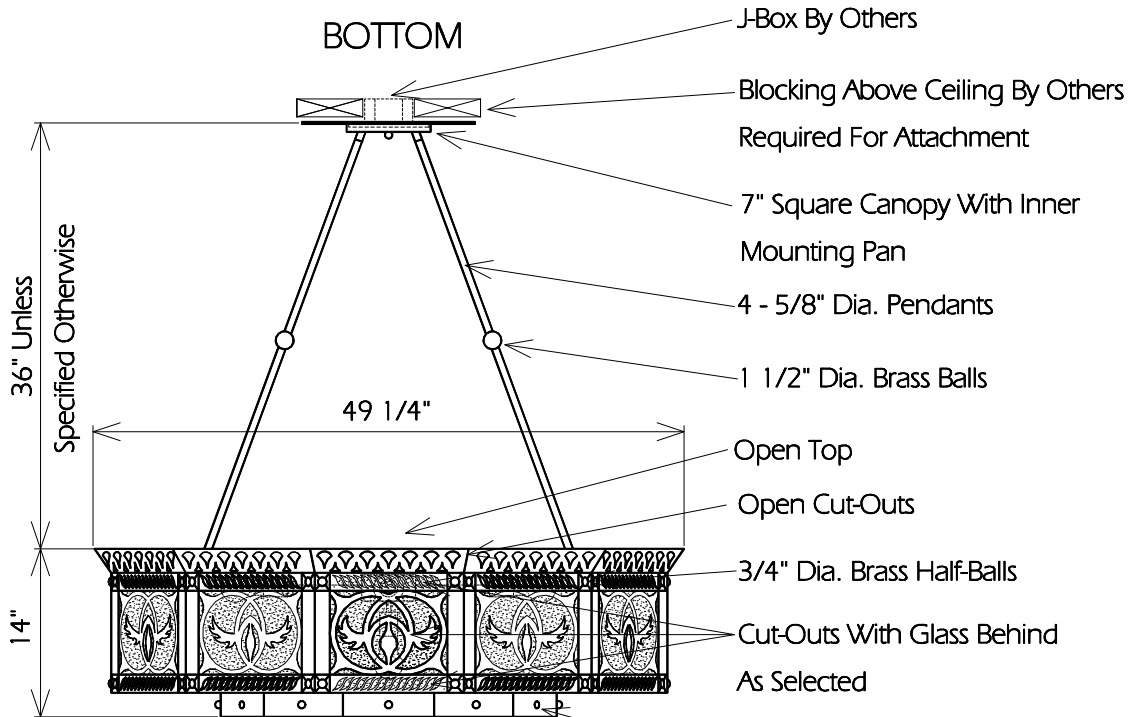


- Open Cut-Outs
- Cut-Outs With Glass Behind As Selected
- Medium-Base Lampholders For 9 Max.
100 Watt Lamps (Incandescent, CFL
or LED) (120 Volt)
- Glass As Selected

BOTTOM



- J-Box By Others
- Blocking Above Ceiling By Others
Required For Attachment
- 7" Square Canopy With Inner
Mounting Pan
- 4 - 5/8" Dia. Pendants
- 1 1/2" Dia. Brass Balls
- Open Top
- Open Cut-Outs
- 3/4" Dia. Brass Half-Balls
- Cut-Outs With Glass Behind
As Selected
- 5/8" Dia. Brass Balls

36" Unless
Specified Otherwise

49 1/4"

14"

SIDE

TWO HILLS STUDIO®

Fine Lighting & Decorative Metal Work www.twohillsstudio.com

2706 SOUTH LAMAR BOULEVARD AUSTIN, TEXAS 78704 512-707-7571 FAX 512-707-7524

CHANDELIER CCH2

COPYRIGHT 1999 TWO HILLS STUDIO, INC.

ALL RIGHTS RESERVED

Fixture Is Appropriate For:

- Wet Locations As Shown
- Wet Locations With Glass Or Solid Top Added
- Damp Locations As Shown
- Dry Locations As Shown
- U.L. Approved