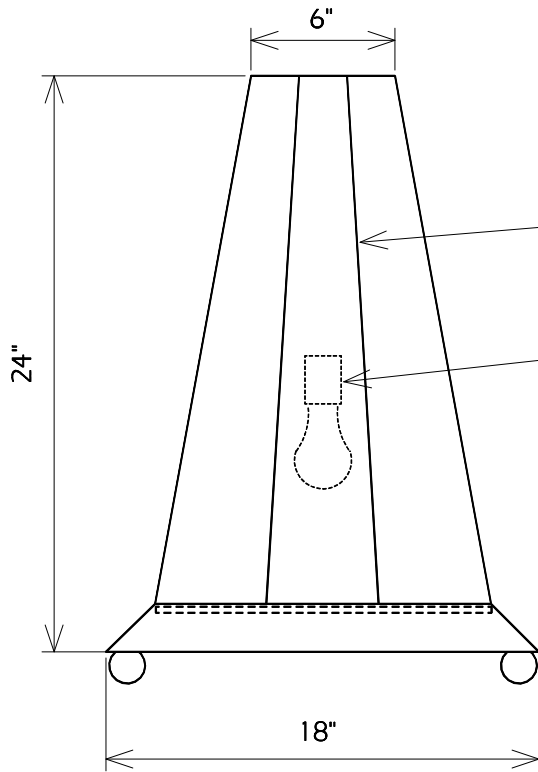


Solid Top (No Uplight)

TOP



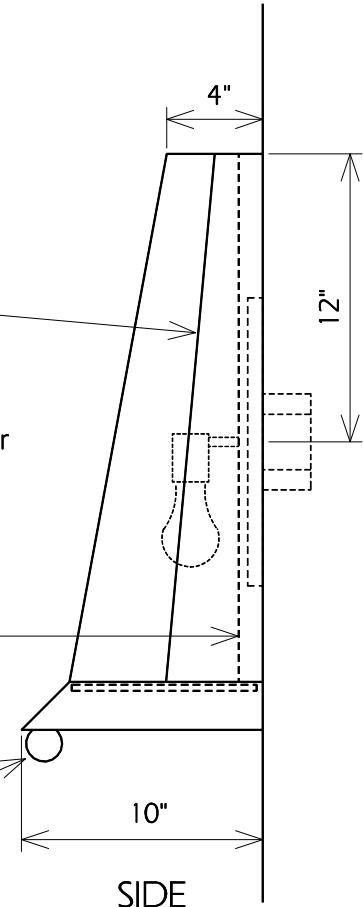
FRONT

Creases In Metal

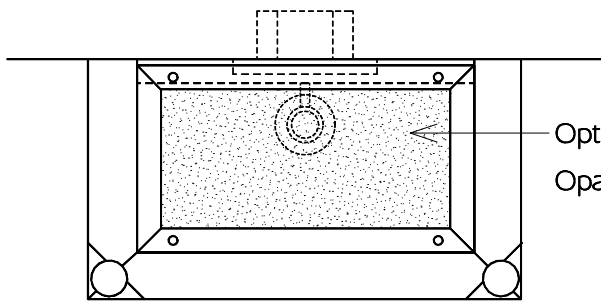
Medium-Base Lampholder For
1 Max. 100 Watt Lamp
(Incandescent, CFL or LED)
(120 Volt)

1" Hollow Back With Inner
Mounting Pan

1 1/2" Dia. Brass Balls



SIDE



BOTTOM

Optional Removable Bottom Of White
Opal Glass In Metal Frame

This Fixture Is Full Cut-Off & Fully Shielded

TWO HILLS STUDIO®

Fine Lighting & Decorative Metal Work www.twohillsstudio.com

2706 SOUTH LAMAR BOULEVARD AUSTIN, TEXAS 78704 512-707-7571 FAX 512-707-7524

WALL SCONCE DL4

Fixture Is Appropriate For:

- Wet Locations As Shown
- Damp Locations As Shown
- Dry Locations As Shown
- U.L. Approved