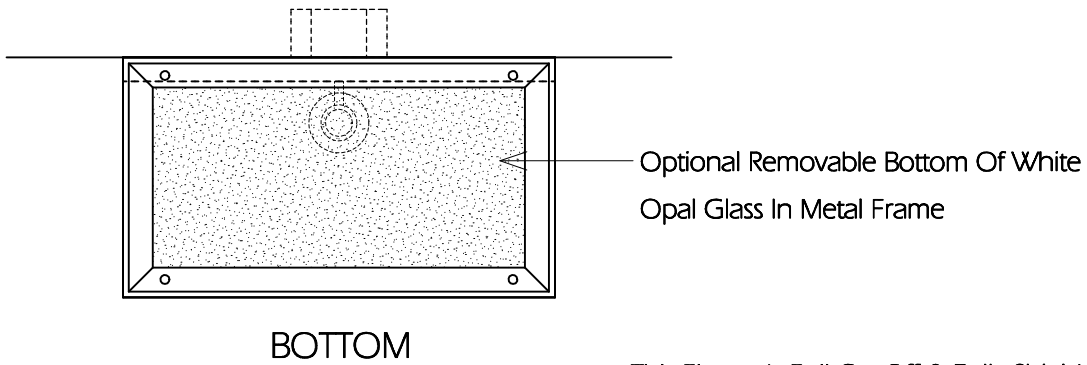
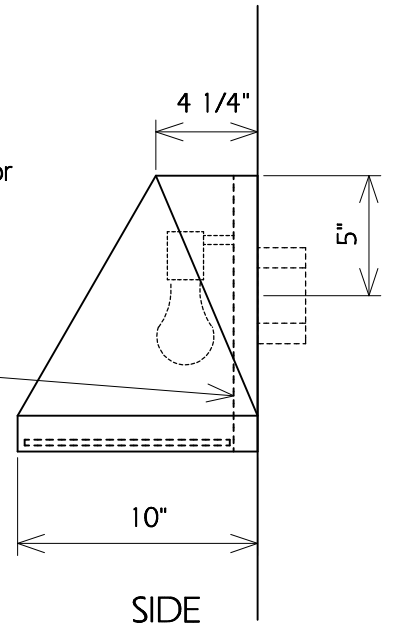


Creases In Metal

Medium-Base Lampholder For
1 Max. 100 Watt Lamp
(Incandescent, CFL or LED)
(120 Volt)



This Fixture Is Full Cut-Off & Fully Shielded

TWO HILLS STUDIO®
 Fine Lighting & Decorative Metal Work www.twohillsstudio.com
 2706 SOUTH LAMAR BOULEVARD AUSTIN, TEXAS 78704 512-707-7571 FAX 512-707-7524

WALL SCONCE DL3

- Fixture Is Appropriate For:
- Wet Locations As Shown
 - Damp Locations As Shown
 - Dry Locations As Shown
 - U.L. Approved