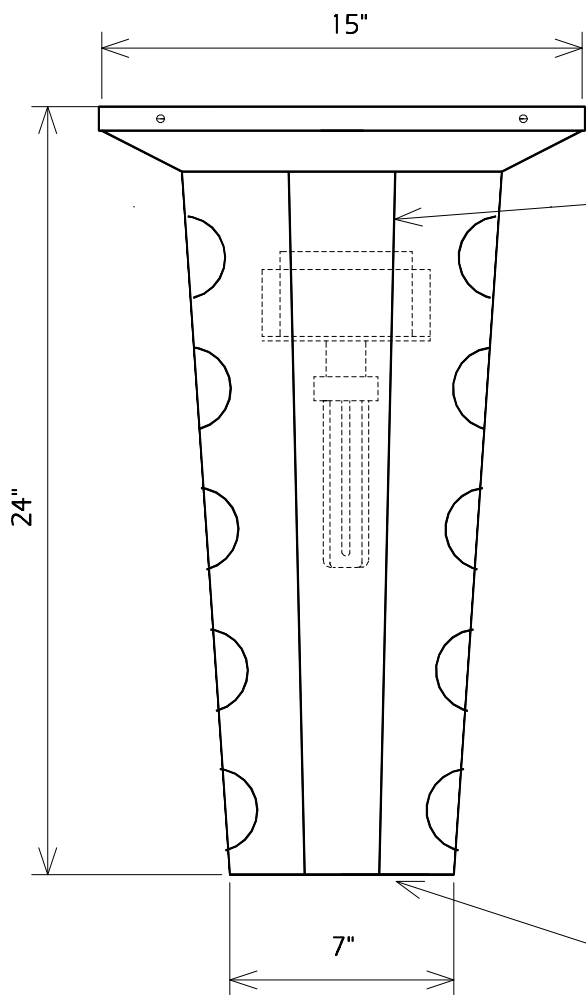
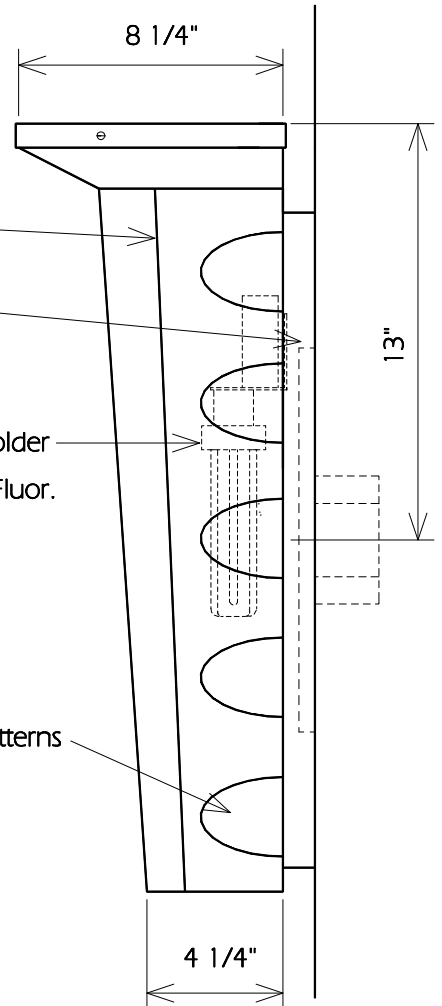


TOP

Removable Clear Glass Top Shown
In Metal Frame For Wet Locations
(Open Top For Dry or Damp Locations)



FRONT



SIDE

Creases

1" Deep Hollow Back With
Inner Mounting Pan

Electronic Ballast & Lampholder
For 1 - 42 Watt, Compact Fluor.
Lamp (120 or 277 Volt)
(GX24Q-4 Base)

Open Notches For Light Patterns
On Wall

Open Bottom

TWO HILLS STUDIO®

Fine Lighting & Decorative Metal Work www.twohillsstudio.com

2706 SOUTH LAMAR BOULEVARD AUSTIN, TEXAS 78704 512-707-7571 FAX 512-707-7524

WALL SCONCE CWS4

Fixture Is Appropriate For:

- Wet Locations As Shown
- Wet Locations With Glass Or Solid Top Added
- Damp Locations As Shown
- Dry Locations As Shown
- U.L. Approved