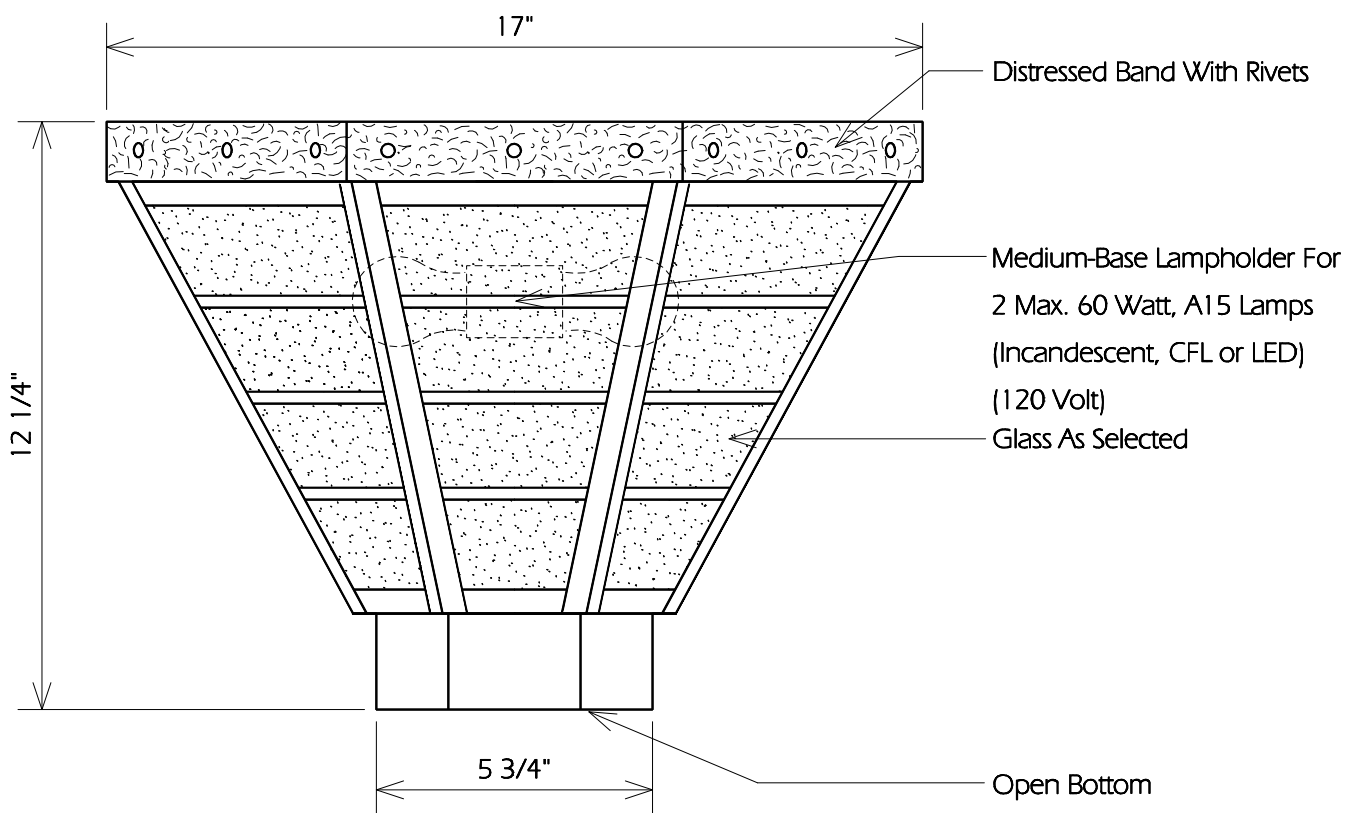


TOP



FRONT

TWO HILLS STUDIO®
 Fine Lighting & Decorative Metal Work www.twohillsstudio.com
 2706 SOUTH LAMAR BOULEVARD AUSTIN, TEXAS 78704 512-707-7571 FAX 512-707-7524

WALL LANTERN L43

COPYRIGHT 1997 TWO HILLS STUDIO, INC. ALL RIGHTS RESERVED

- Fixture Is Appropriate For:
- ___ Wet Locations As Shown
 - ___ Wet Locations With Glass Or Solid Top Added
 - Damp Locations As Shown
 - Dry Locations As Shown
 - U.L. Approved