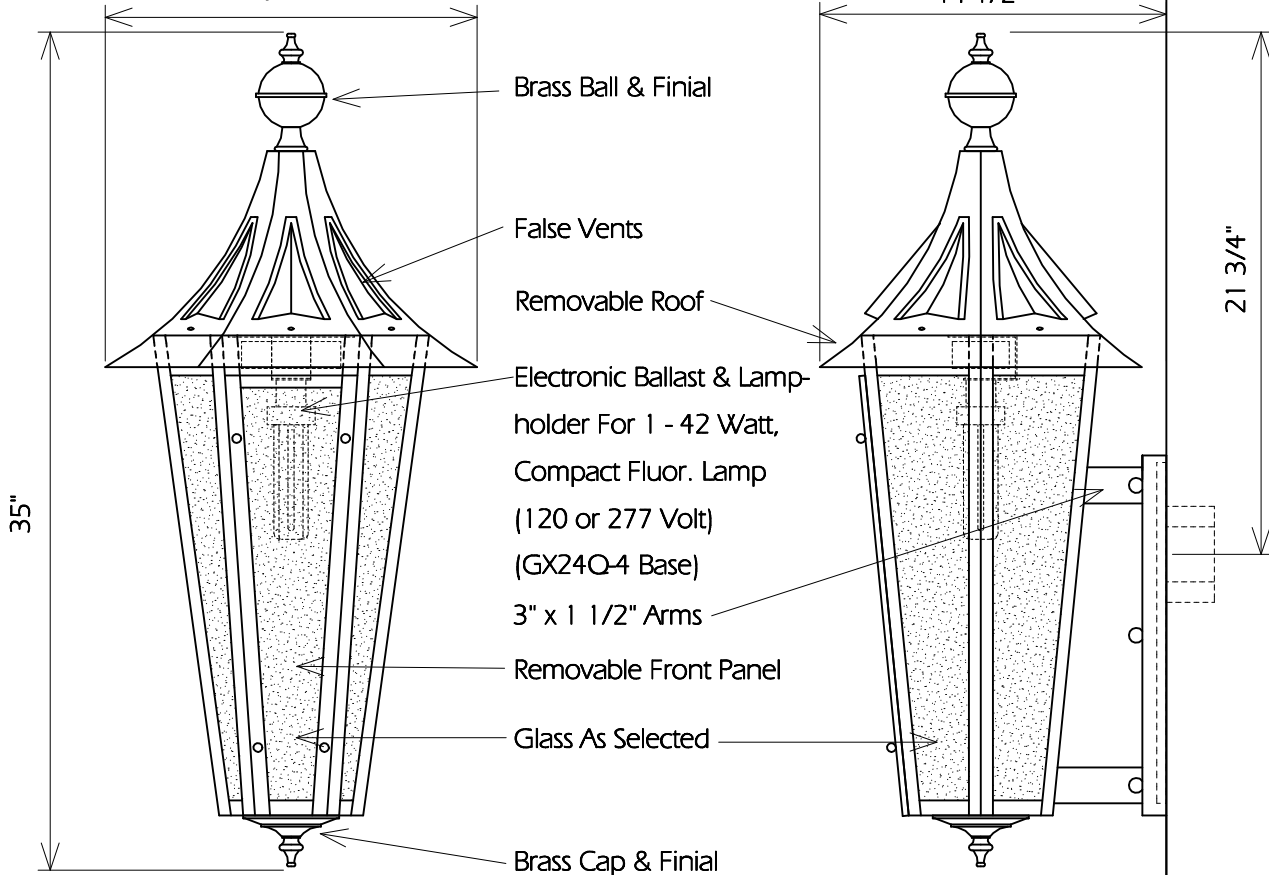


7" Wide x 15" Tall Canopy With Inner Mounting Pan

TOP

15 1/2"



FRONT

SIDE

**TWO HILLS STUDIO®**

Fine Lighting & Decorative Metal Work [www.twohillsstudio.com](http://www.twohillsstudio.com)

2706 SOUTH LAMAR BOULEVARD AUSTIN, TEXAS 78704 512-707-7571 FAX 512-707-7524

**WALL LANTERN CWL69**

Fixture Is Appropriate For:

- Wet Locations As Shown
- Wet Locations With Glass Or Solid Top Added
- Damp Locations As Shown
- Dry Locations As Shown
- U.L. Approved