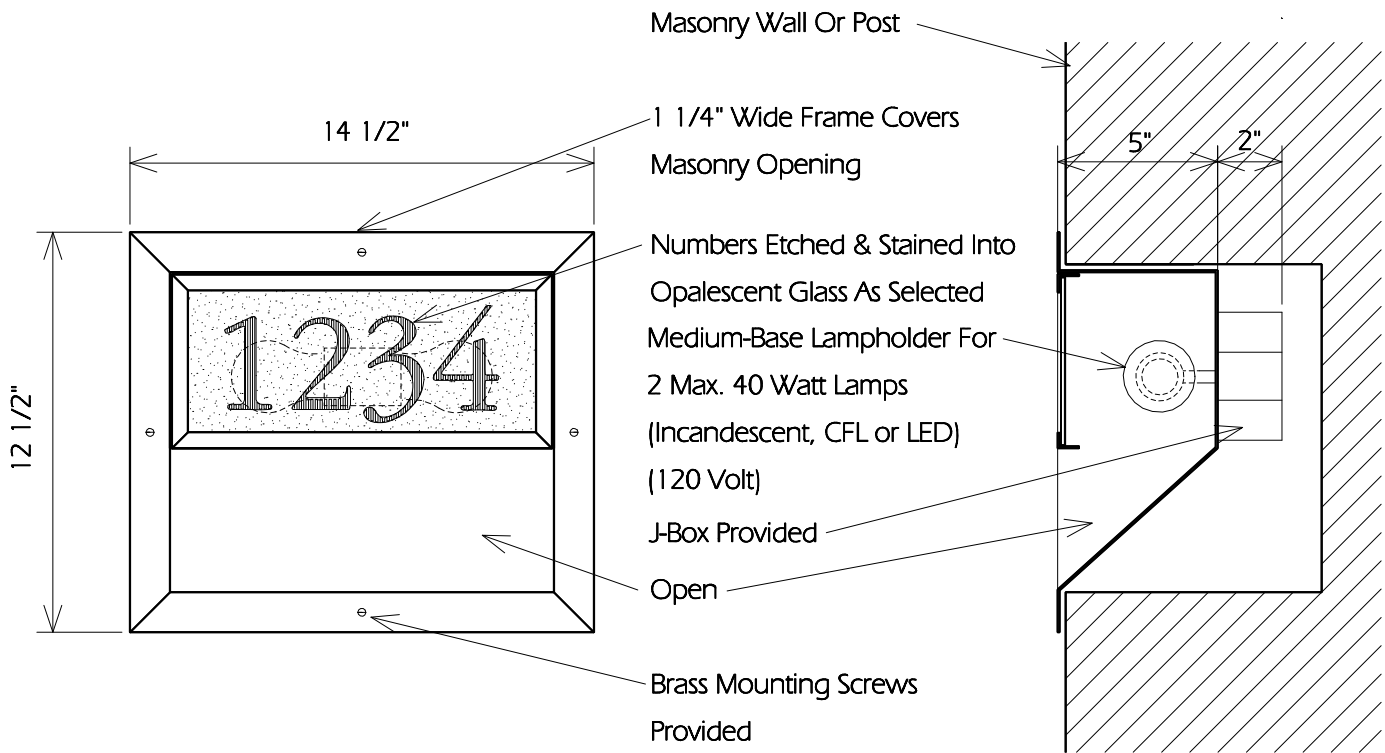


Provide Masonry Opening Of
12 1/4" Wide x 10 1/4" Tall x 8" Deep



FRONT

This Fixture Is Only For Installation
Into A Masonry Wall Or Post

SECTION

TWO HILLS STUDIO®

Fine Lighting & Decorative Metal Work www.twohillsstudio.com

2706 SOUTH LAMAR BOULEVARD AUSTIN, TEXAS 78704 512-707-7571 FAX 512-707-7524

RECESSED ADDRESS LIGHT RAL2

Fixture Is Appropriate For:

- Wet Locations As Shown
- Wet Locations With Glass Or Solid Top Added
- Damp Locations As Shown
- Dry Locations As Shown
- U.L. Approved